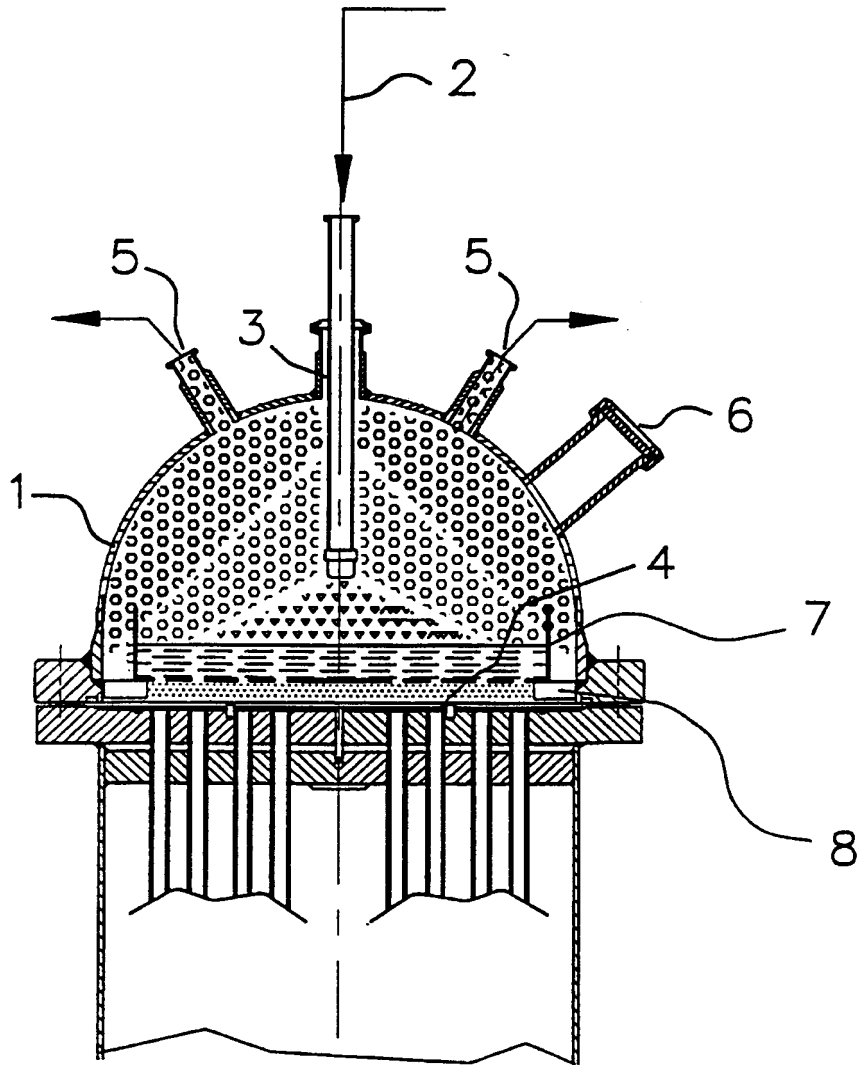


Fig. 1

TOP SECRET



THESE STATEMENTS

Fig.2

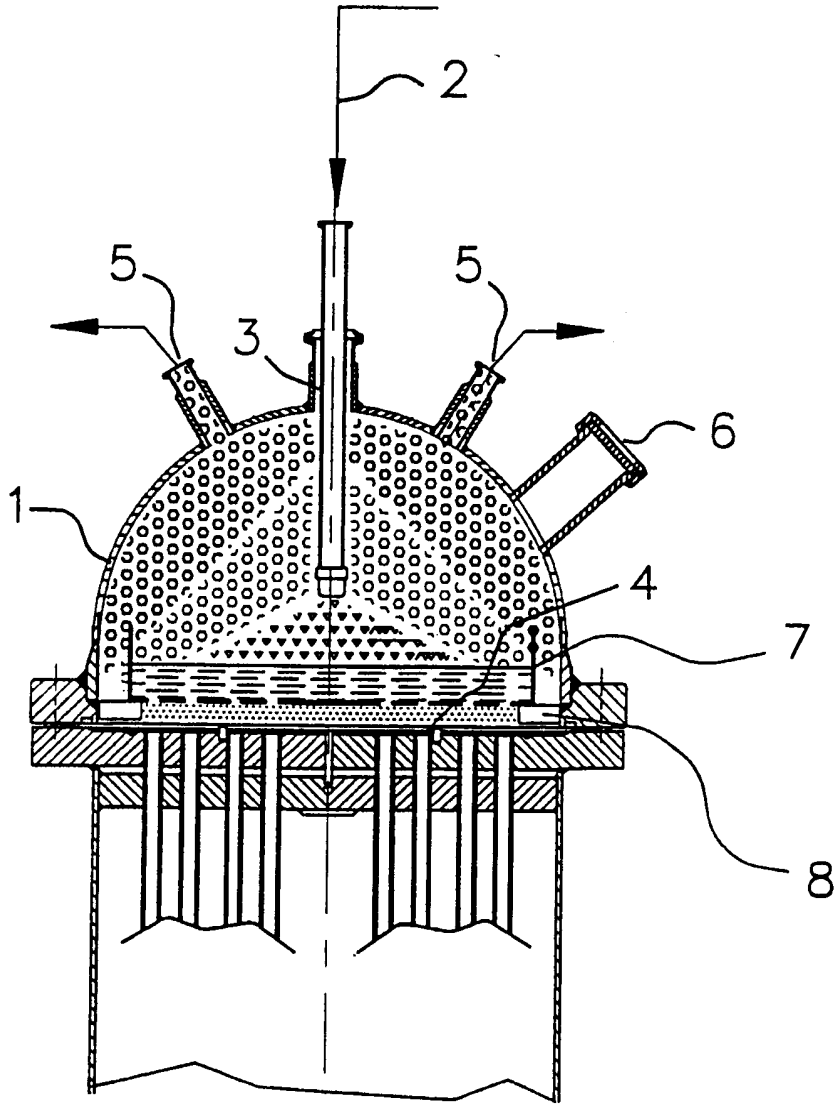


Fig.2

1060940* K44E6610